

# FUSE AND FUSE HOLDER



## Cell Box Series

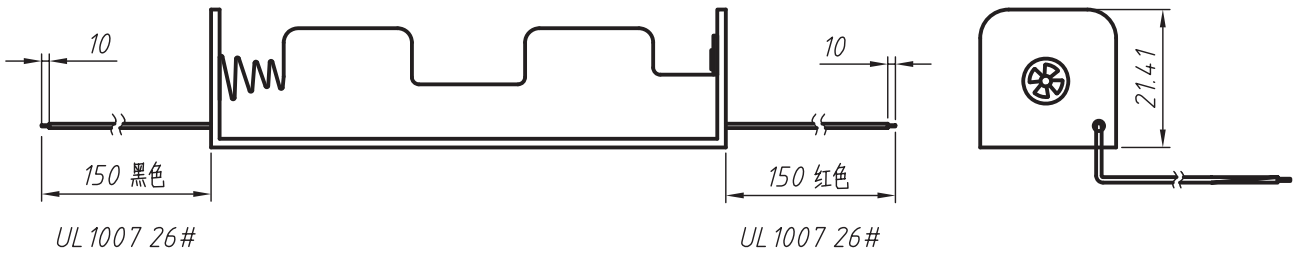
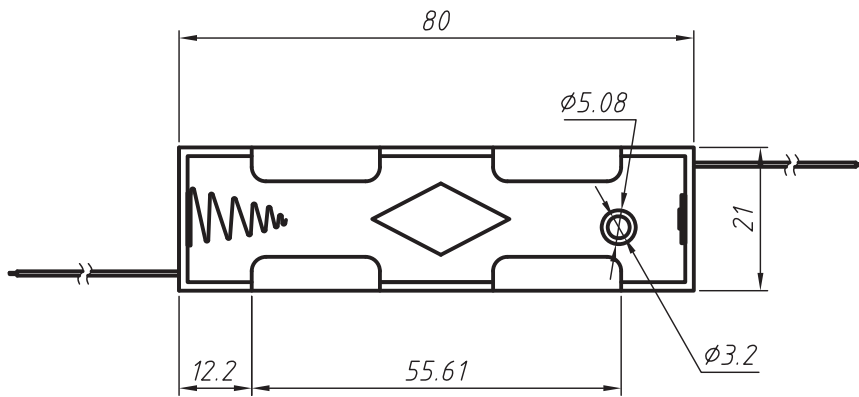
KLS5-18650-L150mm 18650 Battery Holder Case Box with Leads

### Technical parameters:

Color:Black  
Wire: UL 1007, # 24 AWG  
Black & Red: 150mm ± 5mm  
Dimension:80\*21\*21.41mm

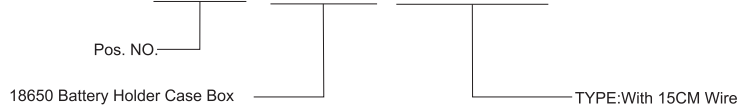
### Material:

Holder:PP  
Rivets: Brass, nickel plated  
Spring: 72A steel,  $\phi$  0.5, nickel-plated



## ORDER INFORMATION

Product NO.: KLS5-18650-L150mm



# FUSE AND FUSE HOLDER



## Cell Box Series

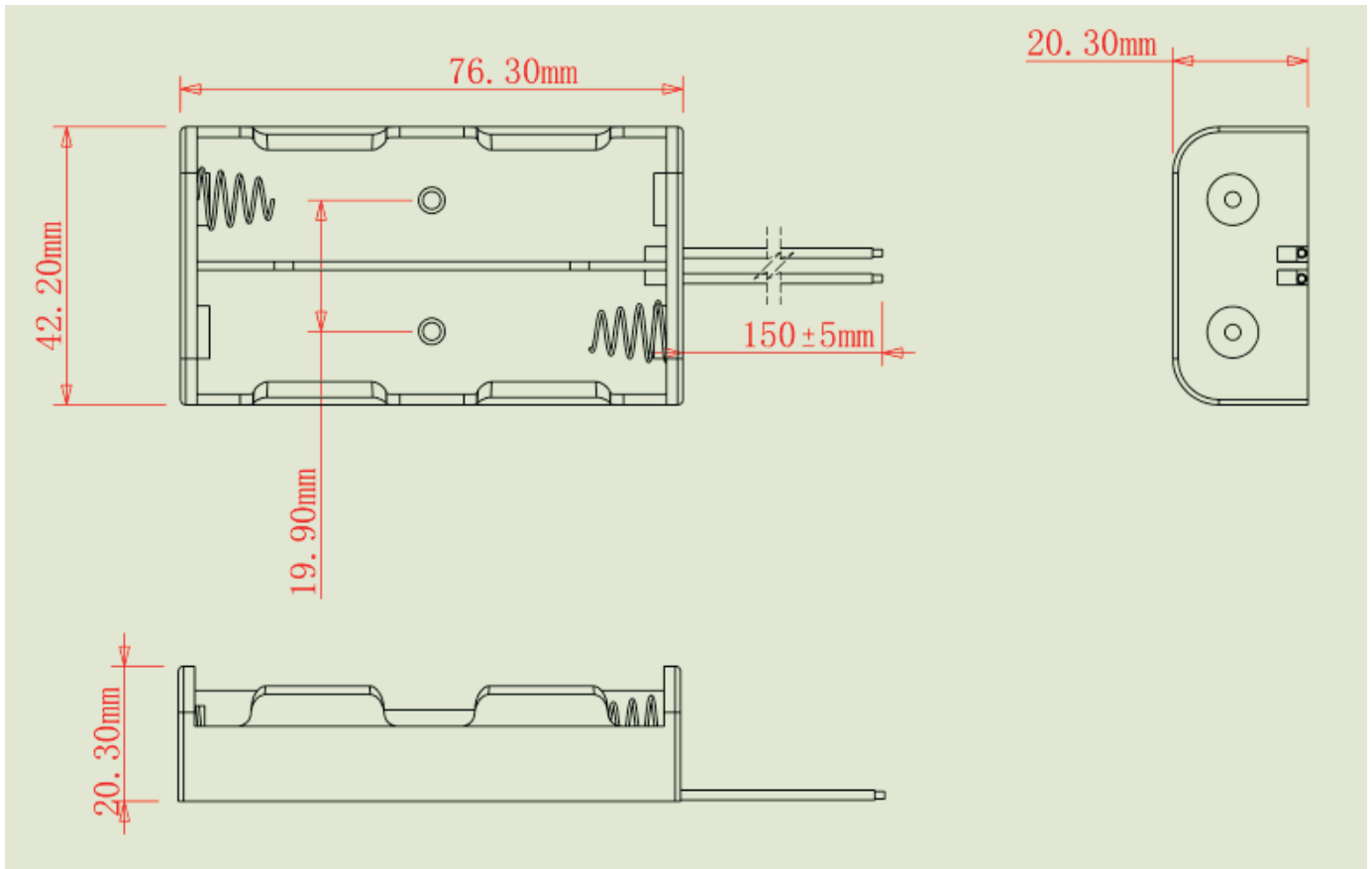
KLS5-18650-L150mm 18650 Battery Holder Case Box with Leads

### Technical parameters:

Color:Black  
Wire: UL 1007, # 24 AWG  
Black & Red: 150mm ± 5mm  
Dimension:80\*21\*21.41mm

### Material:

Holder:PP  
Rivets: Brass, nickel plated  
Spring: 72A steel, φ 0.5, nickel-plated



## ORDER INFORMATION

Product: **KLS5-18650-2W-L150**

